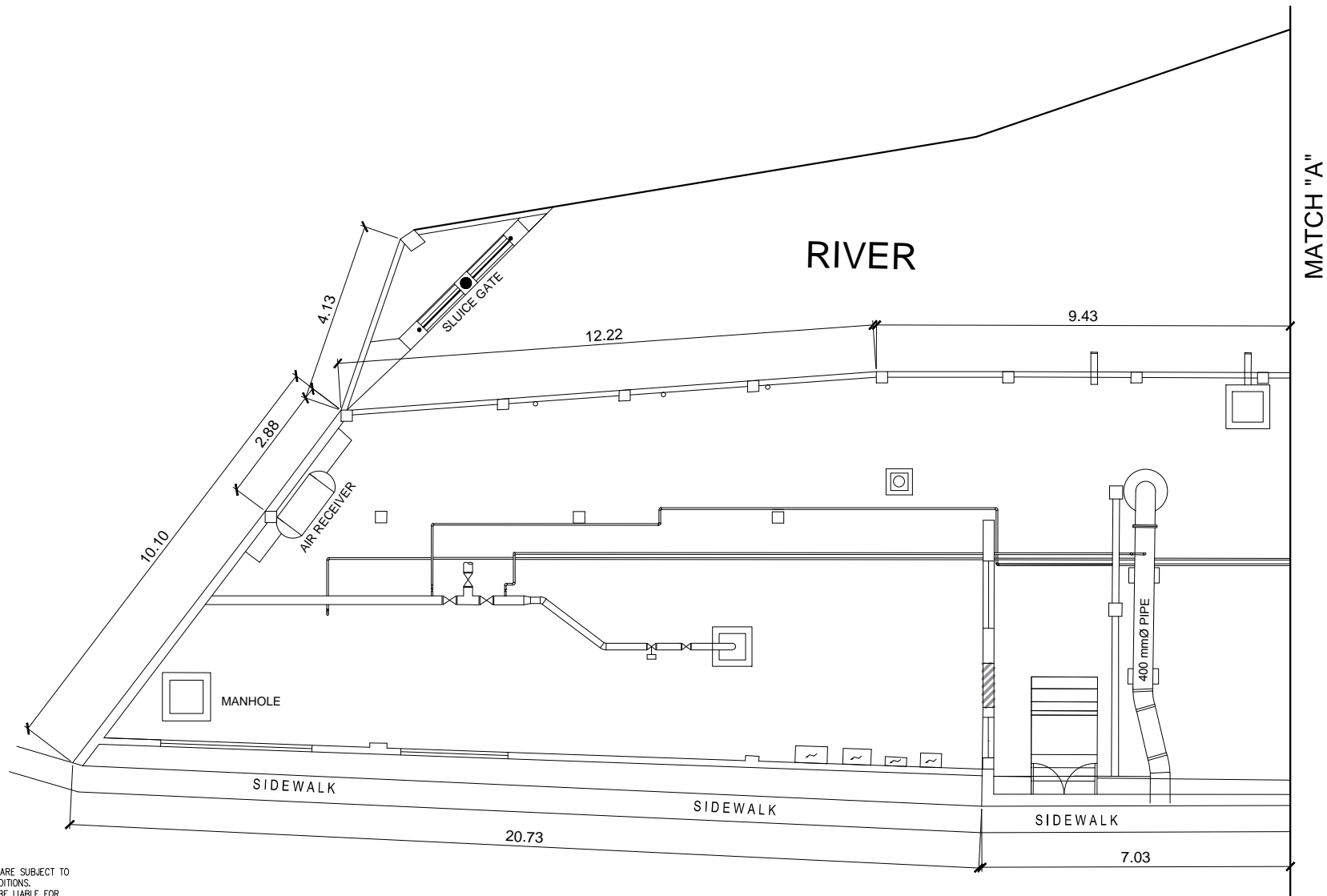



This design or drawing is the sole property of Calamba Water District. No part of this design or drawing may be reproduced or transmitted in any form or by any means without the written consent of its owner.



- NOTES:
 1. ALL SIZES AND LOCATIONS ARE SUBJECT TO CHANGE TO SUIT FIELD CONDITIONS.
 2. THE DESIGNER SHALL NOT BE LIABLE FOR ANY ALTERATION/ REVISION ON THE PLANS/ DRAWINGS AND SPECIFICATIONS IMPROVED BY THE AUTHORIZED SUPERVISING ENGINEER DONE WITHOUT THEIR KNOWLEDGE THAT MAY IMPAIR THE STRENGTH OF THE PROJECT.

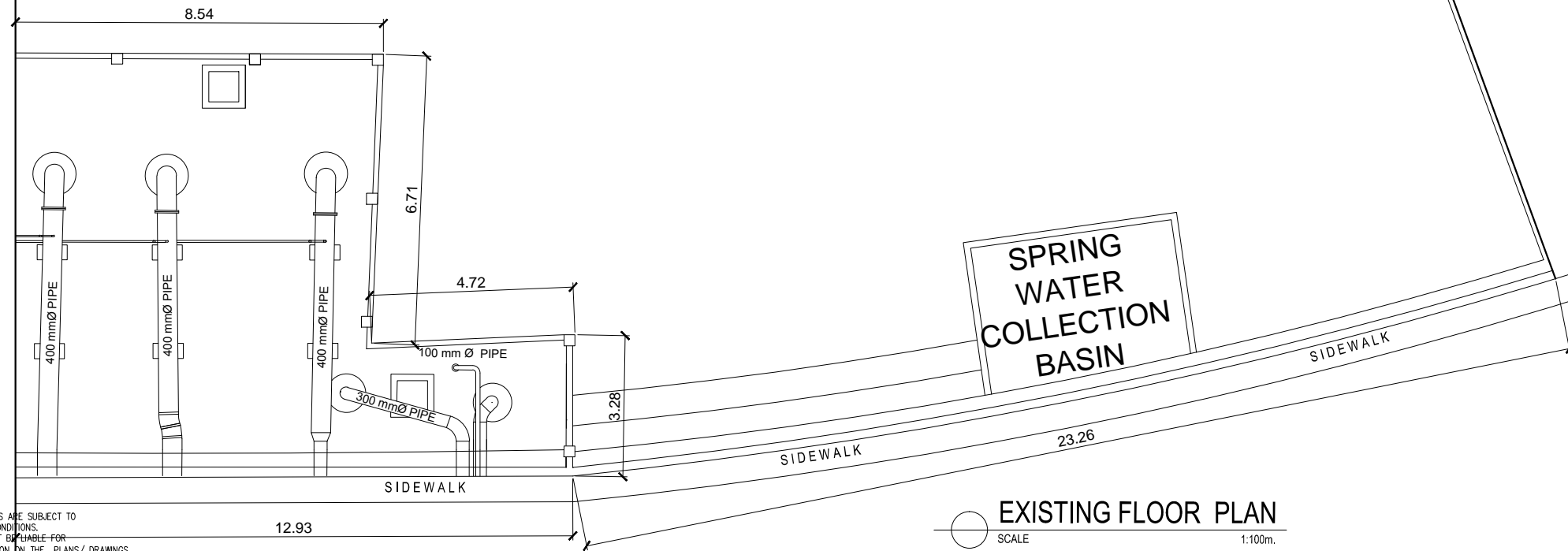
EXISTING FLOOR PLAN
 SCALE 1:100m.

 CALAMBA WATER DISTRICT ENGINEERING DEPARTMENT PLANNING AND DESIGN DIVISION LAKEVIEW SUBD., HALANG, CALAMBA CITY	PROJECT TITLE:	DRAWN BY: A. L. DEL PRADO	SHEET CONTENTS:	DATE: 12/14/2020
	PROPOSED REHABILITATION AND ADDITIONAL ROOF OF BSP INTAKE STRUCTURE	DESIGNED BY: ENGR. R. BARO		SHEET NO.
		RECOMMENDED BY: ENGR. J. GILLERA		A-1
LOCATION: Bucal Pumping Station Upper, Calamba City, Laguna	APPROVED BY: MR. E. A. AGUILAR JR.			


This design or drawing is the sole property of Calamba Water District. No part of this design or drawing may be reproduced or transmitted in any form or by any means without the written consent of its owner.

MATCH "A"

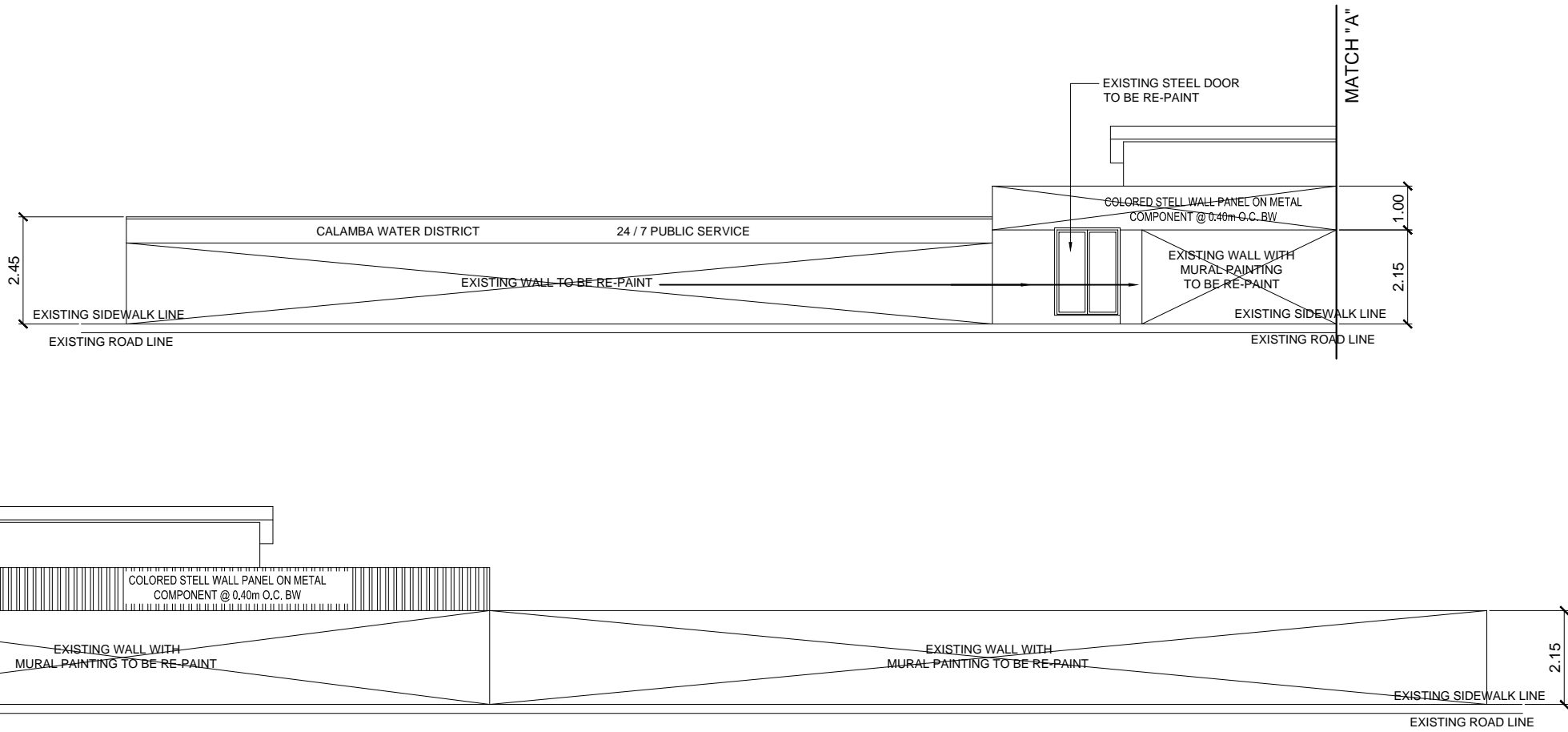
RIVER



- NOTES:
1. ALL SIZES AND LOCATIONS ARE SUBJECT TO CHANGE TO SUIT FIELD CONDITIONS.
 2. THE DESIGNER SHALL NOT BE LIABLE FOR ANY ALTERATION/ REVISION IN THE PLANS/ DRAWINGS AND SPECIFICATIONS IMPROVED BY THE AUTHORIZED SUPERVISING ENGINEER DONE WITHOUT THEIR KNOWLEDGE THAT MAY IMPAIR THE STRENGTH OF THE PROJECT.

 <p>CALAMBA WATER DISTRICT ENGINEERING DEPARTMENT PLANNING AND DESIGN DIVISION</p> <p>LAKEVIEW SUBD., HALANG, CALAMBA CITY</p>	PROJECT TITLE:	DRAWN BY: A. L. DEL PRADO	SHEET CONTENTS:	DATE: 08/24/2020
	PROPOSED REHABILITATION AND ADDITIONAL ROOF OF BSP INTAKE STRUCTURE	DESIGNED BY: ENGR. R. BARO		SHEET NO.
	LOCATION: Bucal Pumping Station Upper, Calamba City, Laguna	RECOMMENDED BY: ENGR. J. GILLERA		A-2
		APPROVED BY: MR. E. A. AGUILAR JR.		

This design or drawing is the sole property of Calamba Water District. No part of this design or drawing may be reproduced or transmitted in any form or by any means without the written consent of its owner.




MATCH "A"

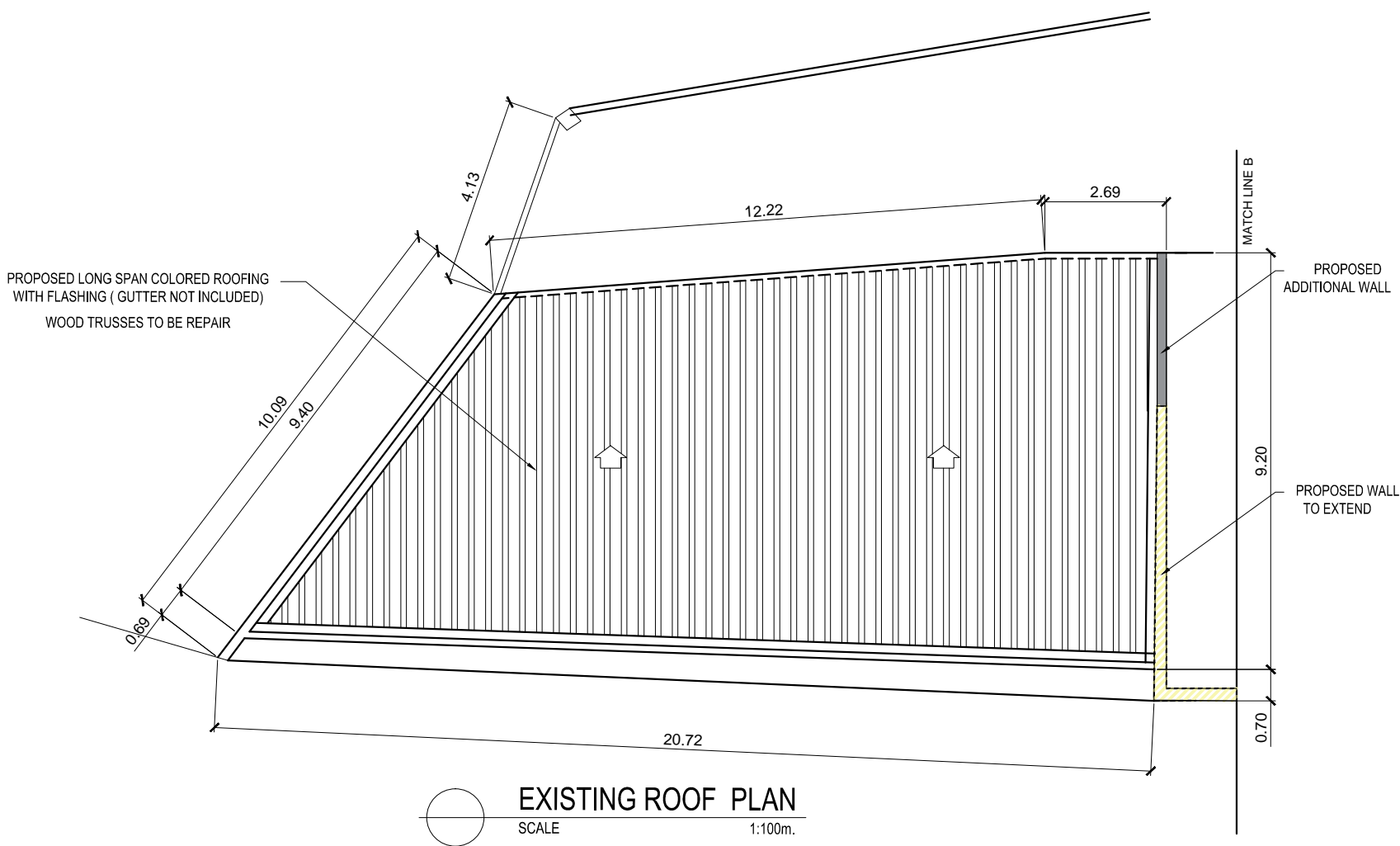
MATCH "A"


FRONT ELEVATION
 SCALE 1:100m.

- NOTES:
1. ALL SIZES AND LOCATIONS ARE SUBJECT TO CHANGE TO SUIT FIELD CONDITIONS.
 2. THE DESIGNER SHALL NOT BE LIABLE FOR ANY ALTERATION / REVISION ON THE PLANS / DRAWINGS AND SPECIFICATIONS IMPROVED BY THE AUTHORIZED SUPERVISING ENGINEER DONE WITHOUT THEIR KNOWLEDGE THAT MAY IMPAIR THE STRENGTH OF THE PROJECT.

 CALAMBA WATER DISTRICT ENGINEERING DEPARTMENT PLANNING AND DESIGN DIVISION <small>24/7 Public Service</small>	PROJECT TITLE:	DRAWN BY: A. L. DEL PRADO	SHEET CONTENTS:	DATE: 12/14/2020
	PROPOSED REHABILITATION AND ADDITIONAL ROOF OF BSP INTAKE STRUCTURE	DESIGNED BY: ENGR. R. BARO		A-3
		RECOMMENDED BY: ENGR. J. GILLERA		
LAKEVIEW SUBD., HALANG, CALAMBA CITY	LOCATION: Bucal Pumping Station Upper, Calamba City, Laguna	APPROVED BY: MR. E. A. AGUILAR JR.		

This design or drawing is the sole property of Calamba Water District. No part of this design or drawing may be reproduced or transmitted in any form or by any means without the written consent of its owner.

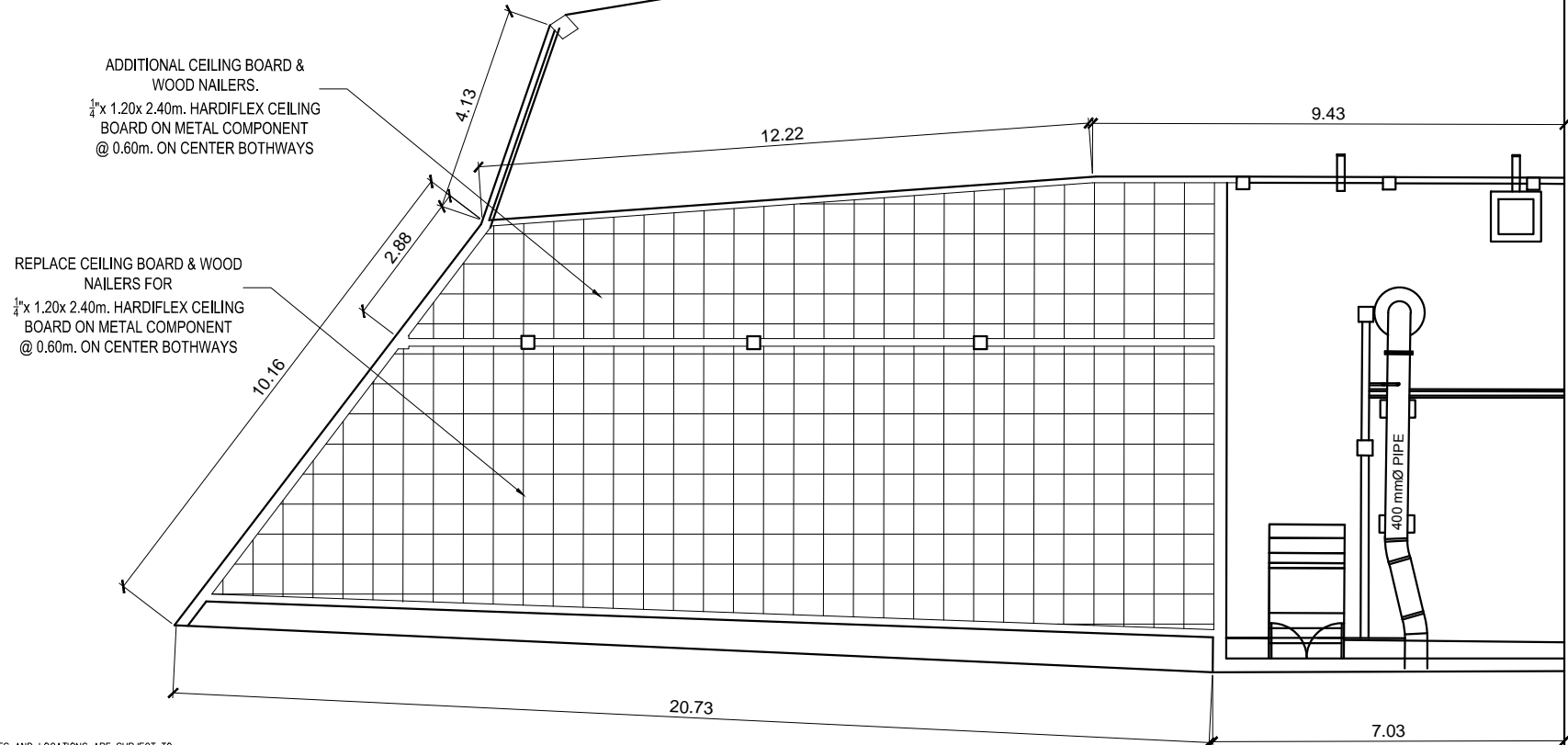


EXISTING ROOF PLAN
 SCALE 1:100m.

NOTES:
 1. ALL SIZES AND LOCATIONS ARE SUBJECT TO CHANGE TO SUIT FIELD CONDITIONS.
 2. THE DESIGNER SHALL NOT BE LIABLE FOR ANY ALTERATION/ REVISION ON THE PLANS/ DRAWINGS AND SPECIFICATIONS IMPROVED BY THE AUTHORIZED SUPERVISING ENGINEER DONE WITHOUT THEIR KNOWLEDGE THAT MAY IMPAIR THE STRENGTH OF THE PROJECT.

CALAMBA WATER DISTRICT ENGINEERING DEPARTMENT PLANNING AND DESIGN DIVISION 24/7 Public Service	PROJECT TITLE:	DRAWN BY: A. L. DEL PRADO	SHEET CONTENTS:	DATE: 12/14/2020
	PROPOSED REHABILITATION AND ADDITIONAL ROOF OF BSP INTAKE STRUCTURE	DESIGNED BY: ENGR. R. BARO		SHEET NO.
	LAKEVIEW SUBD., HALANG, CALAMBA CITY	RECOMMENDED BY: ENGR. J. GILLERA		A-5
LOCATION: Bucal Pumping Station Upper, Calamba City, Laguna	APPROVED BY: MR. E. A. AGUILAR JR.			


This design or drawing is the sole property of Calamba Water District. No part of this design or drawing may be reproduced or transmitted in any form or by any means without the written consent of its owner.



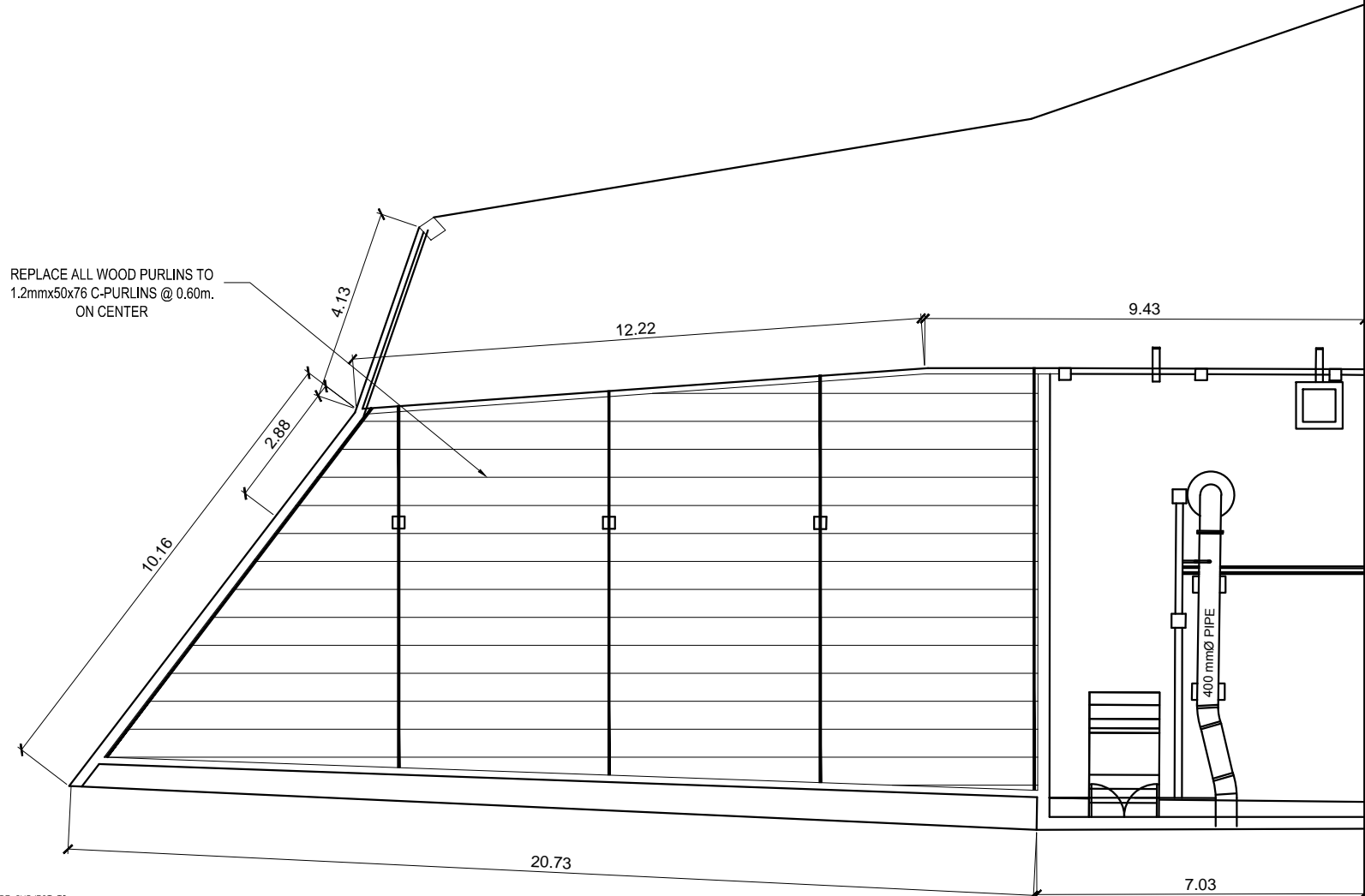
MATCH "A"

NOTES:
 1. ALL SIZES AND LOCATIONS ARE SUBJECT TO CHANGE TO SUIT FIELD CONDITIONS.
 2. THE DESIGNER SHALL NOT BE LIABLE FOR ANY ALTERATION / REVISION ON THE PLANS / DRAWINGS AND SPECIFICATIONS IMPROVED BY THE AUTHORIZED SUPERVISING ENGINEER DONE WITHOUT THEIR KNOWLEDGE THAT MAY IMPAIR THE STRENGTH OF THE PROJECT.

REFLECTED CEILING LAYOUT
 SCALE 1:100m.

 CALAMBA WATER DISTRICT ENGINEERING DEPARTMENT PLANNING AND DESIGN DIVISION LAKEVIEW SUBD., HALANG, CALAMBA CITY	PROJECT TITLE:	DRAWN BY: A. L. DEL PRADO	SHEET CONTENTS:	DATE: 12/14/2020
	PROPOSED REHABILITATION AND ADDITIONAL ROOF OF BSP INTAKE STRUCTURE	DESIGNED BY: ENGR. R. BARO		SHEET NO.
		RECOMMENDED BY: ENGR. J. GILLERA		A-6
LOCATION: Bucal Pumping Station Upper, Calamba City, Laguna	APPROVED BY: MR. E. A. AGUILAR JR.			

This design or drawing is the sole property of Calamba Water District. No part of this design or drawing may be reproduced or transmitted in any form or by any means without the written consent of its owner.




REPLACE ALL WOOD PURLINS TO
1.2mmx50x76 C-PURLINS @ 0.60m.
ON CENTER

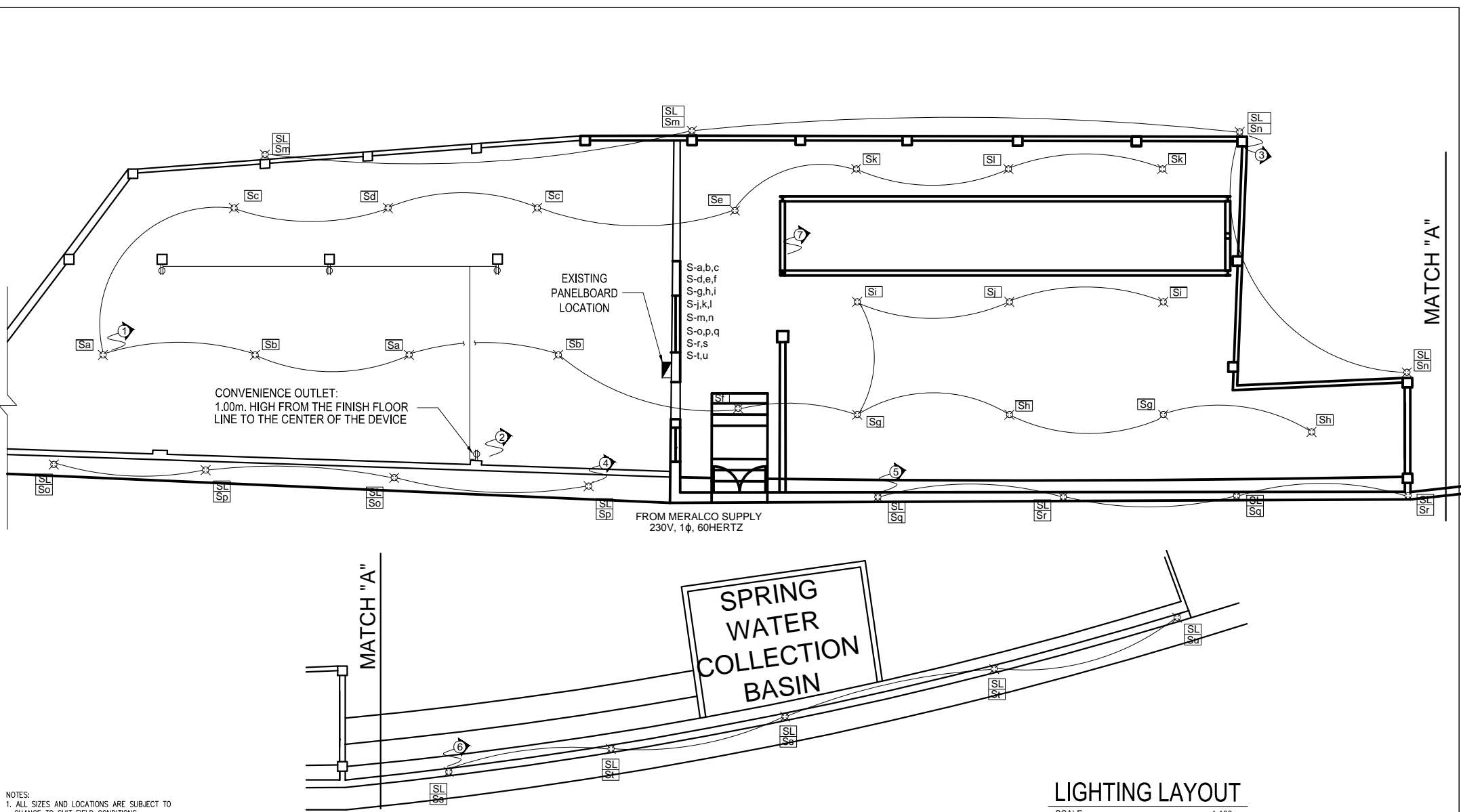
MATCH "A"

- NOTES:
 1. ALL SIZES AND LOCATIONS ARE SUBJECT TO CHANGE TO SUIT FIELD CONDITIONS.
 2. THE DESIGNER SHALL NOT BE LIABLE FOR ANY ALTERATION/ REVISION ON THE PLANS/ DRAWINGS AND SPECIFICATIONS IMPROVED BY THE AUTHORIZED SUPERVISING ENGINEER DONE WITHOUT THEIR KNOWLEDGE THAT MAY IMPAIR THE STRENGTH OF THE PROJECT.

EXISTING ROOF FRAMING PLAN
 SCALE 1:100m.


 CALAMBA WATER DISTRICT ENGINEERING DEPARTMENT PLANNING AND DESIGN DIVISION LAKEVIEW SUBD., HALANG, CALAMBA CITY	PROJECT TITLE:	DRAWN BY: A. L. DEL PRADO	SHEET CONTENTS:	DATE: 12/14/2020
	PROPOSED REHABILITATION AND ADDITIONAL ROOF OF BSP INTAKE STRUCTURE	DESIGNED BY: ENGR. R. BARO		SHEET NO.
		RECOMMENDED BY: ENGR. J. GILLERA		A-7
	LOCATION: Bucal Pumping Station Upper, Calamba City, Laguna	APPROVED BY: MR. E. A. AGUILAR JR.		

This design or drawing is the sole property of Calamba Water District. No part of this design or drawing may be reproduced or transmitted in any form or by any means without the written consent of its owner.



- NOTES:
1. ALL SIZES AND LOCATIONS ARE SUBJECT TO CHANGE TO SUIT FIELD CONDITIONS.
 2. THE DESIGNER SHALL NOT BE LIABLE FOR ANY ALTERATION/ REVISION ON THE PLANS/ DRAWINGS AND SPECIFICATIONS IMPROVED BY THE AUTHORIZED SUPERVISING ENGINEER DONE WITHOUT THEIR KNOWLEDGE THAT MAY IMPAIR THE STRENGTH OF THE PROJECT.

LIGHTING LAYOUT
SCALE 1:100m.

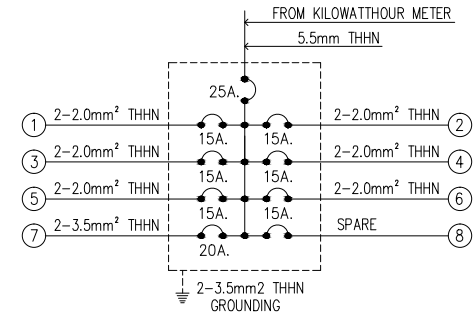
 CALAMBA WATER DISTRICT ENGINEERING DEPARTMENT PLANNING AND DESIGN DIVISION LAKEVIEW SUBD., HALANG, CALAMBA CITY	PROJECT TITLE:	DRAWN BY: A. L. DEL PRADO	SHEET CONTENTS:	DATE: 12/14/2020
	PROPOSED REHABILITATION AND ADDITIONAL ROOF OF BSP INTAKE STRUCTURE	DESIGNED BY: ENGR. R. BARO		SHEET NO.
LOCATION: Bucal Pumping Station Upper, Calamba City, Laguna	RECOMMENDED BY: ENGR. J. GILLERA	APPROVED BY: MR. E. A. AGUILAR JR.		E-1

This design or drawing is the sole property of Calamba Water District. No part of this design or drawing may be reproduced or transmitted in any form or by any means without the written consent of its owner.

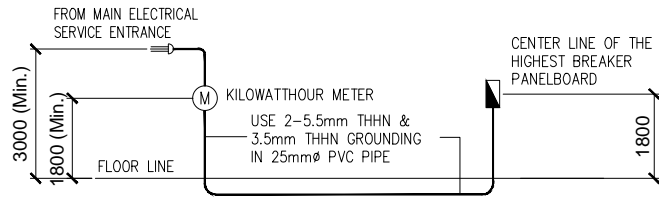
SCHEDULE OF LOADS						
CKT. NO.	LOAD DESCRIPTION	WATTS	VOLTS	BREAKER	SIZE OF WIRES	CONDUITS
1	19-100w L.O.	1900	230	2P,15A,230V.	2-2.0mm ² THHN	15mm ϕ PVC PIPE
2	4-180w C.O.	720	230	2P,20A,230V.	2-2.0mm ² THHN	15mm ϕ PVC PIPE
3	4-500w Spotlight Outlet	2000	230	2P,15A,230V.	2-2.0mm ² THHN	15mm ϕ PVC PIPE
4	4-500w Spotlight Outlet	2000	230	2P,15A,230V.	2-2.0mm ² THHN	15mm ϕ PVC PIPE
5	4-500w Spotlight Outlet	2000	230	2P,15A,230V.	2-2.0mm ² THHN	15mm ϕ PVC PIPE
6	5-500w Spotlight Outlet	2500	230	2P,15A,230V.	2-2.0mm ² THHN	15mm ϕ PVC PIPE
7	2HP ELECTRICAL HOIST MOTOR	1800	230	2P,20A,230V.	2-3.5mm ² THHN	15mm ϕ PVC PIPE
8	SPARE					
TOTAL		12920	230	2P,60A,230V.	3.5mm ² THHN	25mm ϕ PVC PIPE

$$A = \frac{12920 \times 0.8}{230} = 44.94 \times 1.25 = 56.17$$

A=56.17 (USE 2-5.5mm THHN & 3.5mm THHN GROUNDING IN 25mm ϕ PVC PIPE)



DETAIL OF PANELBOARD



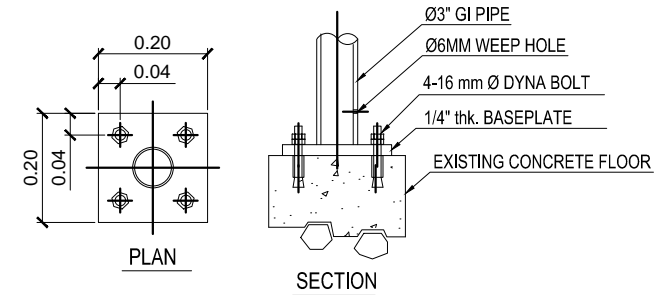
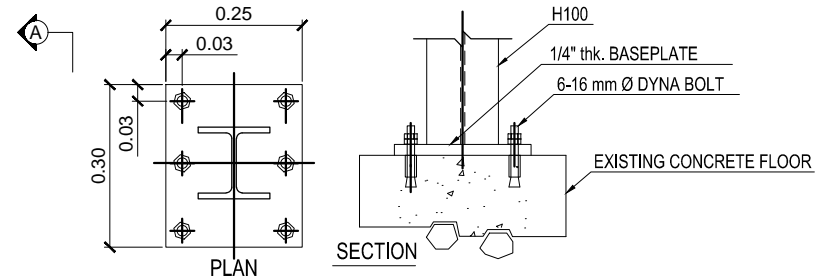
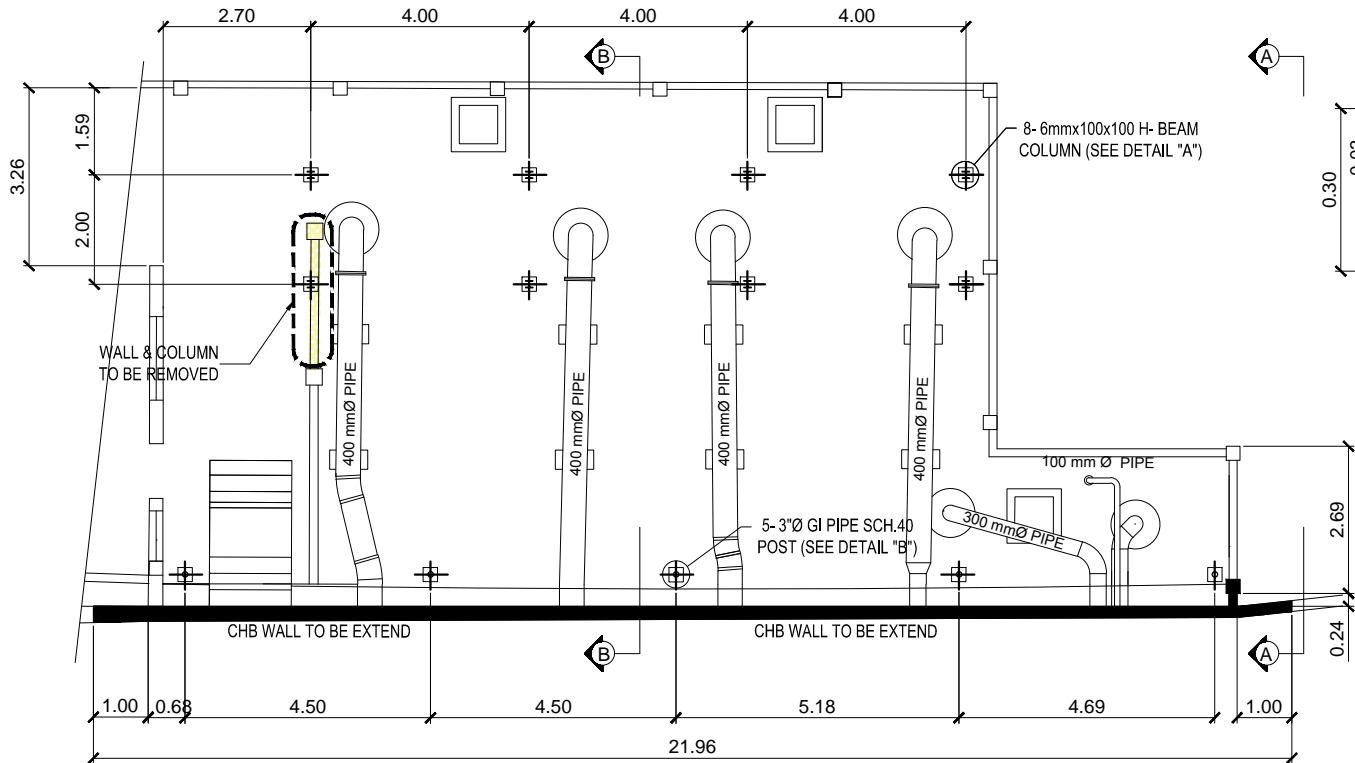
SINGLE LINE RISER DIAGRAM

- LEGEND:
- LIGHTING BULB CEILING OUTLET
 - SPOTLIGHT
 - CIRCUIT RUN NUMBER
 - SWITCH

NOTES:
 1. ALL SIZES AND LOCATIONS ARE SUBJECT TO CHANGE TO SUIT FIELD CONDITIONS.
 2. THE DESIGNER SHALL NOT BE LIABLE FOR ANY ALTERATION/ REVISION ON THE PLANS/ DRAWINGS AND SPECIFICATIONS IMPROVED BY THE AUTHORIZED SUPERVISING ENGINEER DONE WITHOUT THEIR KNOWLEDGE THAT MAY IMPAIR THE STRENGTH OF THE PROJECT.

CALAMBA WATER DISTRICT ENGINEERING DEPARTMENT PLANNING AND DESIGN DIVISION LAKEVIEW SUBD., HALANG, CALAMBA CITY	PROJECT TITLE:	DRAWN BY: A. L. DEL PRADO	SHEET CONTENTS:	DATE: 12/14/2020
	PROPOSED REHABILITATION AND ADDITIONAL ROOF OF BSP INTAKE STRUCTURE	DESIGNED BY: ENGR. R. BARO		SHEET NO.
		RECOMMENDED BY: ENGR. J. GILLERA		E-2
LOCATION: Bucal Pumping Station Upper, Calamba City, Laguna	APPROVED BY: MR. E. A. AGUILAR JR.			

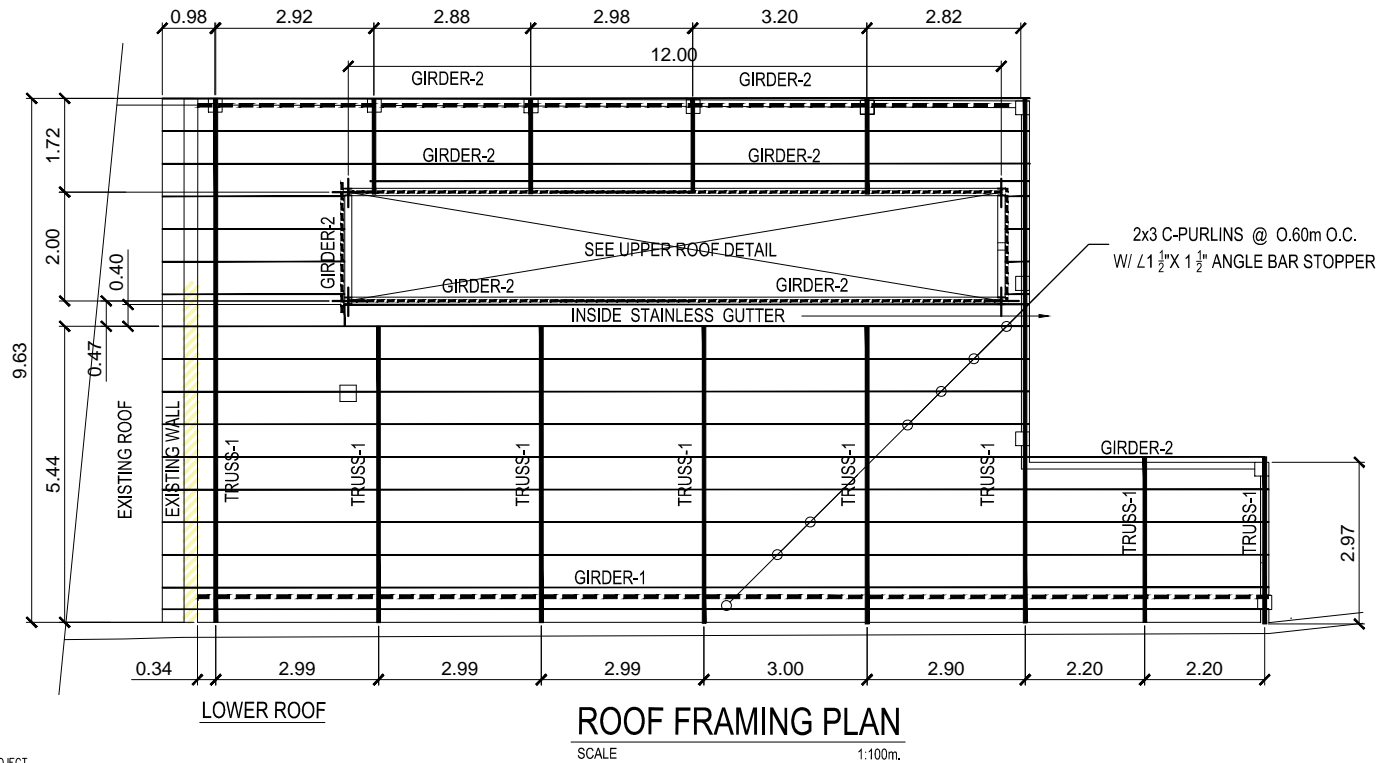
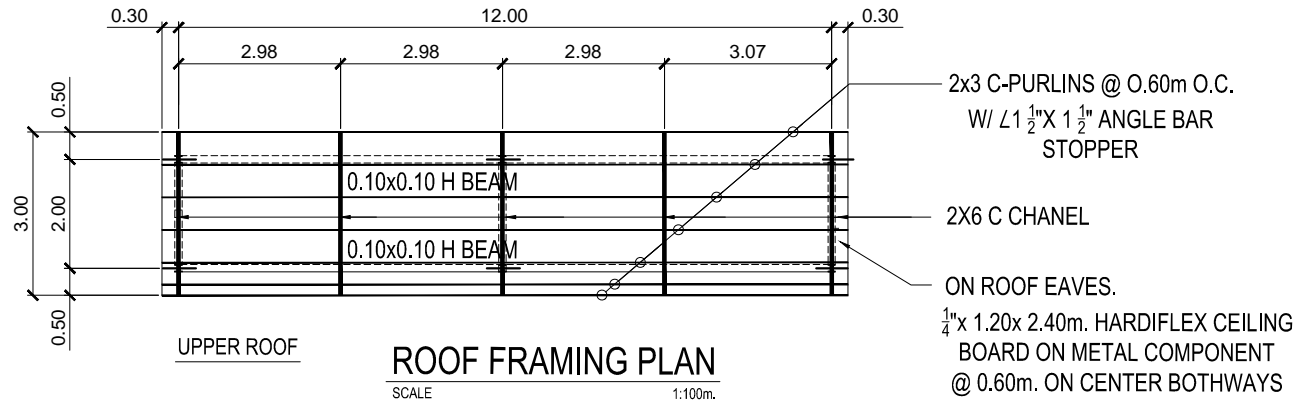
This design or drawing is the sole property of Calamba Water District. No part of this design or drawing may be reproduced or transmitted in any form or by any means without the written consent of its owner.




NOTES:
1. ALL SIZES AND LOCATIONS ARE SUBJECT TO CHANGE TO SUIT FIELD CONDITIONS.
2. THE DESIGNER SHALL NOT BE LIABLE FOR ANY ALTERATION/ REVISION ON THE PLANS/ DRAWINGS AND SPECIFICATIONS IMPROVED BY THE AUTHORIZED SUPERVISING ENGINEER DONE WITHOUT THEIR KNOWLEDGE THAT MAY IMPAIR THE STRENGTH OF THE PROJECT.

 LAKEVIEW SUBD., HALANG, CALAMBA CITY	PROJECT TITLE:	DRAWN BY: A. L. DEL PRADO	SHEET CONTENTS:	DATE: 12/14/2020
	PROPOSED REHABILITATION AND ADDITIONAL ROOF OF BSP INTAKE STRUCTURE	DESIGNED BY: ENGR. R. BARO		SHEET NO.
		RECOMMENDED BY: ENGR. J. GILLERA		S-1
LOCATION: Bucal Pumping Station Upper, Calamba City, Laguna	APPROVED BY: MR. E. A. AGUILAR JR.			

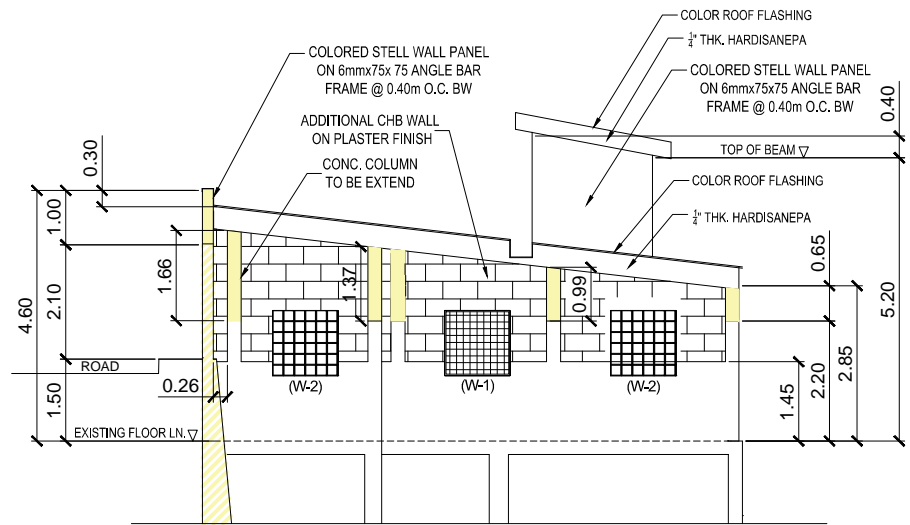
This design or drawing is the sole property of Calamba Water District. No part of this design or drawing may be reproduced or transmitted in any form or by any means without the written consent of its owner.



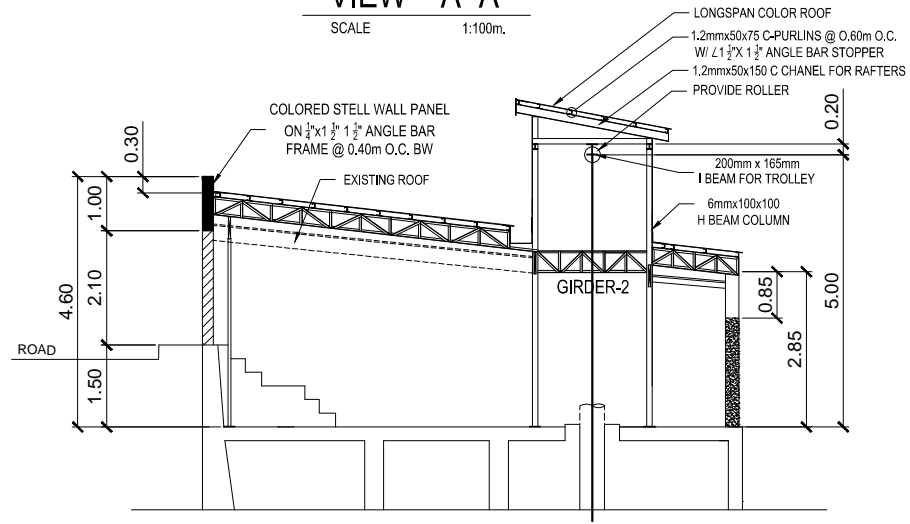
NOTES:
 1. ALL SIZES AND LOCATIONS ARE SUBJECT TO CHANGE TO SUIT FIELD CONDITIONS.
 2. THE DESIGNER SHALL NOT BE LIABLE FOR ANY ALTERATION / REVISION ON THE PLANS / DRAWINGS AND SPECIFICATIONS IMPROVED BY THE AUTHORIZED SUPERVISING ENGINEER DONE WITHOUT THEIR KNOWLEDGE THAT MAY IMPAIR THE STRENGTH OF THE PROJECT.

 CALAMBA WATER DISTRICT ENGINEERING DEPARTMENT PLANNING AND DESIGN DIVISION LAKEVIEW SUBD., HALANG, CALAMBA CITY	PROJECT TITLE:	DRAWN BY: A. L. DEL PRADO	SHEET CONTENTS:	DATE: 12/14/2020
	PROPOSED REHABILITATION AND ADDITIONAL ROOF OF BSP INTAKE STRUCTURE	DESIGNED BY: ENGR. R. BARO		SHEET NO.
	LOCATION: Bucal Pumping Station Upper, Calamba City, Laguna	RECOMMENDED BY: ENGR. J. GILLERA		S-2
		APPROVED BY: MR. E. A. AGUILAR JR.		

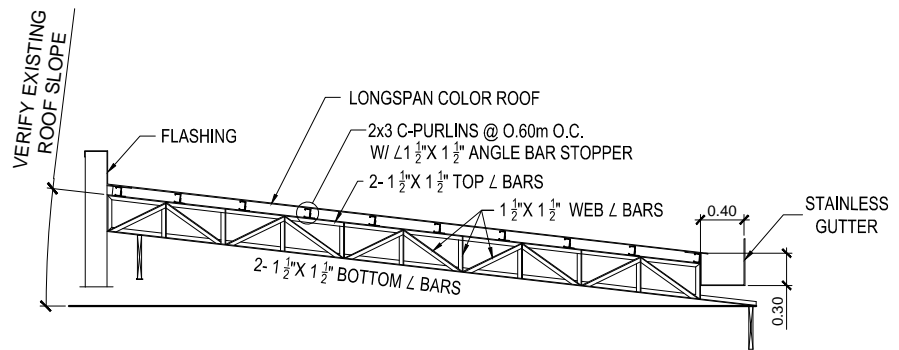
This design or drawing is the sole property of Calamba Water District. No part of this design or drawing may be reproduced or transmitted in any form or by any means without the written consent of its owner.



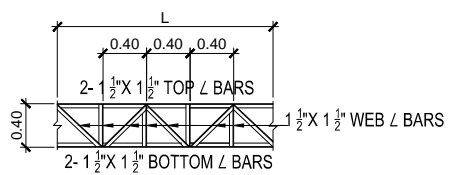
VIEW A~A
SCALE 1:100m.



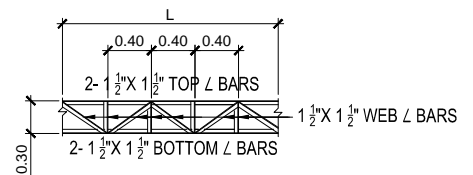
SECTION B~B
SCALE 1:100m.



DETAIL OF TRUSS - 1
SCALE 1:100m.



GIRDER - 1
SCALE 1:50m.



GIRDER - 2
SCALE 1:50m.

NOTES:
1. ALL SIZES AND LOCATIONS ARE SUBJECT TO CHANGE TO SUIT FIELD CONDITIONS.
2. THE DESIGNER SHALL NOT BE LIABLE FOR ANY ALTERATION/ REVISION ON THE PLANS/ DRAWINGS AND SPECIFICATIONS IMPROVED BY THE AUTHORIZED SUPERVISING ENGINEER DONE WITHOUT THEIR KNOWLEDGE THAT MAY IMPAIR THE STRENGTH OF THE PROJECT.

W CALAMBA WATER DISTRICT
ENGINEERING DEPARTMENT
PLANNING AND DESIGN DIVISION
24/7 Public Service

PROJECT TITLE:
PROPOSED REHABILITATION AND ADDITIONAL ROOF OF BSP INTAKE STRUCTURE

DRAWN BY: A. L. DEL PRADO
DESIGNED BY: ENGR. R. BARO
RECOMMENDED BY: ENGR. J. GILLERA
APPROVED BY: MR. E. A. AGUILAR JR.

SHEET CONTENTS:

DATE: 12/14/2020

SHEET NO.

S-3